

SPA Ozone Generator **FQT-118 / SPA-118**



BEYOK
百悦康☆☆☆☆

Ozone Output:	50 mg/hr @ air
External gas source:	1-3L/min@air
Ozone Generating Method	Corona Discharge
Electrical:	110-240V/50-60Hz; 4.5W
Ozone Outlet Connection:	Φ 6mm pagoda joint
Case:	Flame retardant plastics
Accessory:	Tubing +Check valve (Optional)
Dimension(LxWxH):	4.7"*3"*1.3"(120*75*34 mm)
Installation Dimension(LxWxH):	5.1"(130 mm)
Net Weight:	0.4 kg

The FQT-series of BEYOK ozone generator cells use ozone core discharge of invention patent, including the integration design of ozone generator tube and ozone driving circuit (without air pump), they can provide stable and efficient ozone output, easy to install and maintain.

Features:

- New high efficiency dielectric barrier discharge technology
- Forced cooling
- Integrated design two in one unit with driving circuit and ozone generator tube
- Stable& efficient output
- Low noise
- Long working life

Benefits:

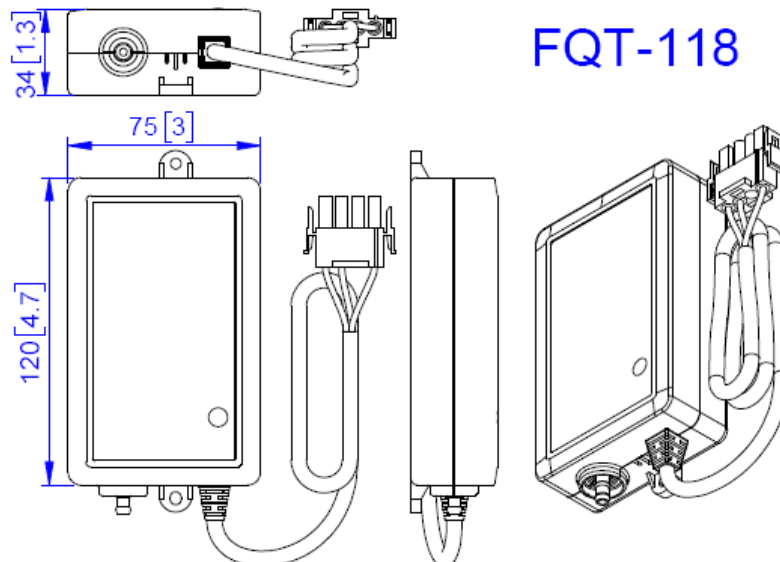
- High efficient broad-spectrum sterilization
- Good dispersion
- Without ozone residual and secondary pollution

Application:

- Washing machine, dishwasher, water machine, water purification machines, coin-operated sale water, fruit and vegetable detoxification machines, aquatic animals, the spa machine, surfing bathtub, slimmer.
- Medical apparatus and instruments, air purifier, disinfection cabinet, refrigerator, dryer, shoe ark, wardrobe, beauty equipment, oxygen machine, toilet, incubator, car.

Size View:

Unit: mm [inch]



FQT-118

BEYOK.com