

Ozone Generator Cell **FQT-572**



BEYOK
百悦康☆☆☆☆

Ozone Output:	500-1000 mg/hr @ O ₂
External gas source:	0.5 L/min@oxygen
Ozone Generating Method	Corona Discharge
Electrical:	AC220V-AC110V-DC12V, 12W
Ozone Outlet Connection:	Φ7mm pagoda joint
Case:	Aluminum profile
Ozone Adjustable:	Can not be adjusted
Dimension (LxWxH):	3.8"*1.6"*4.6" (96*540*118 mm)
Installation Dimension (LxW):	4.3"*3.1" (110*80 mm)
Net Weight:	- kg

The FQT-57X series of BEYOK ozone generator cells use ozone core discharge of invention patent including the integration design of ozone generator tube and ozone driving circuit (without air pump), they can provide stable and efficient ozone output, easy to install and maintain.

Features:

- High-efficiency titanium material ozone tube
- Forced cooling
- Integrated design two in one unit with driving circuit and ozone generator tube
- Stable& efficient output
- Low noise
- Long working life

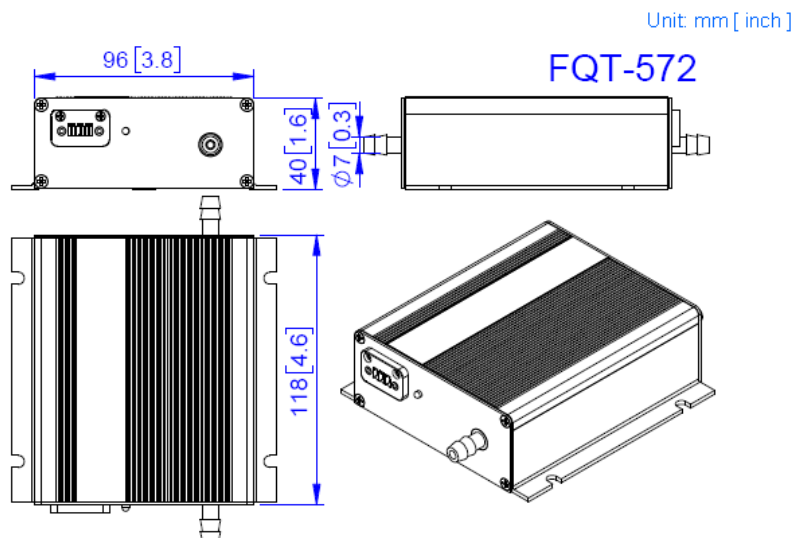
Benefits:

- High efficient broad-spectrum sterilization
- Good dispersion
- Without ozone residual and secondary pollution

Application:

- Medical apparatus and instruments, air purifier, disinfection cabinet, refrigerator, dryer, shoe ark, wardrobe, beauty equipment, oxygen machine, toilet, incubator, car.
- Washing machine, dishwasher, water machine, water purification machines, coin-operated sale water, fruit and vegetable detoxification machines, aquatic animals, the spa machine, surfing bathtub, slimmer.

Size View:



BEYOK.com