

SPA & Pool Ozone Generator **FQT-C600**



BEYOK
百悦康☆☆☆☆☆

Ozone Output:	600 mg/hr on ambient air (40%RH)
Flow rate:	12 SCFH (6 lpm)
Generating Method:	Corona Discharge
Feed gas:	Dry air or oxygen recommended
Electrical:	220V/50Hz-120V/60Hz available, 14W
Control:	On/Off Rocker Switch
Air inlet & outlet Dia:	1/4" barb (6.5mm)
Power Cable:	4-ft (1.2m) in length
Enclosure material:	Aluminum
Accessories:	2 sets of 4-ft tube & diffuser stone
Dimension(LxWxH):	7.5" x 5.8" x 2.4" (190x 147 x61 mm)
Net Weight:	2.9 lb (1.26 kg)

The BEYOKozone SPA & pool CD Ozone Generators series are designed to provide the benefits of ozonated water in an environmentally safe and effective manner. With the BEYOKozone SPA & pool CD Ozone Generators series you will maximize your ozone effectiveness while minimizing your operating costs.

The BEYOKozone SPA & pool CD Ozone Generators series provide efficient, cost effective, continuous ozone production.

Features:

- Compact design with simple operation
- Easy installation and low maintenance
- Able to connect with air dryer through air inlet to increase ozone output
- Low power consumption
- One year warranty

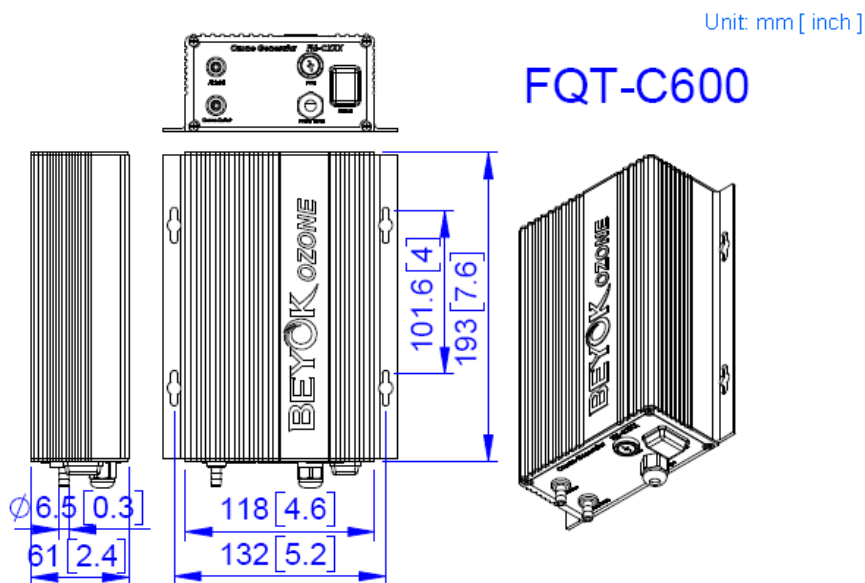
Benefits:

- Reduce chemical cost
- Reduce environmental impact
- Kill bacteria, viruses, and molds found in spas or pools
- Reliable, quiet and energy efficient

Application:

- Residential SPA
- Residential pool

Size View:



BEYOK.com